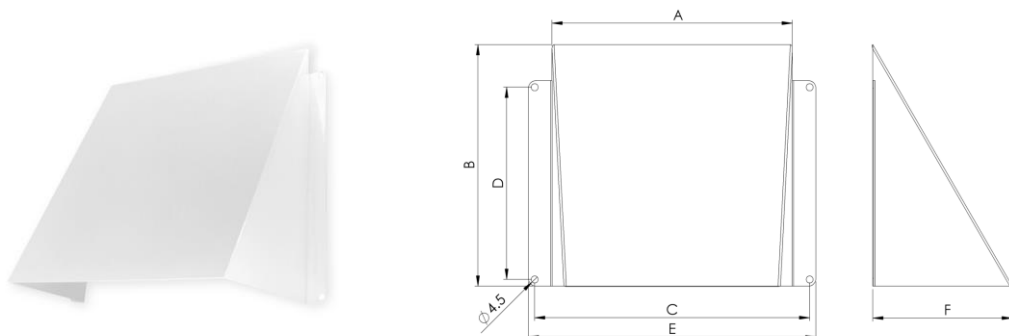


Metal outlet cover LNM



Description

Metal cover for building facades. Suitable for protecting open ventilation intake/exhaust ducts and ventilation grilles from the influence of the surrounding environment

Technical data

Construction Made from galvanized steel or other metals
 Installation Screw fixing in vertical position
 Colors White, black, metallic

Dimensions

Type	A [mm]	B [mm]	C [mm]	D [mm]	E [mm]	F [mm]	Air pass [m ²]	m [kg]
LNM1408	143	85	160	54	168	49	0,0066	0,08
LNM1515	153	153	174	122	182	89	0,0126	0,18
LNM2020	203	204	224	174	232	118	0,0223	0,29
LNM2508	253	85	274	54	282	49	0,0120	0,14
LNM2512	253	125	274	94	282	72	0,0175	0,20

Modifications

LNMxxxx - white RAL9016 polymer coating

LNMxxxxM - black RAL9005 polymer coating

LNMxxxxZn - metallic, galvanized steel

*LNMxxxxB – brown, RAL8016 polymer coating

*LNMxxxxP – grey, RAL9006 polymer coating

*LNMxxxxY – beige, RAL1015 polymer coating

*LNMxxxxA – anthracite, polymer coating

*LNMxxxxCu – copper, unpainted

*LNMxxxxAl – aluminium, unpainted

*LNMxxxxi – stainless steel, unpainted

* - Not included in the main range. Available only on special order with a certain minimum quantity